

Keyword:
 iXtra - Long Term Performance

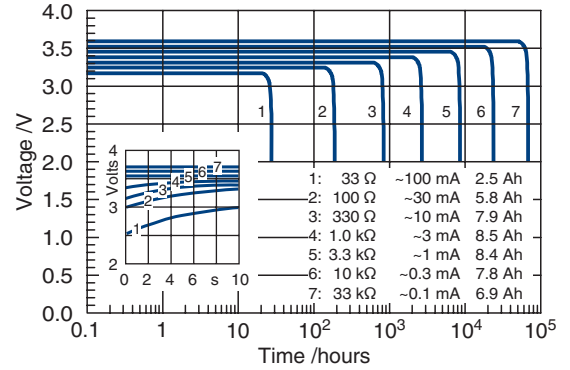
Model:	SL-2770
Performance Data (Typical values for batteries stored at 25 °C for one year)	Size C
System	Li/SOCl ₂
Nominal voltage	3.6 V
Nominal capacity	8.5 Ah
Nominal current	3 mA
Max. continuous discharge current	100 mA
Pulse current capability	300 mA
Anode surface area	30 cm ²
Lithium content	2.5 g
Weight	50 g
Volume	26 cm ³
Temperature range	-55...+85 °C

WARNING:
 Fire, explosion, and severe burn hazard. Do not recharge, disassemble, heat above 100 °C, incinerate, or expose contents to water.

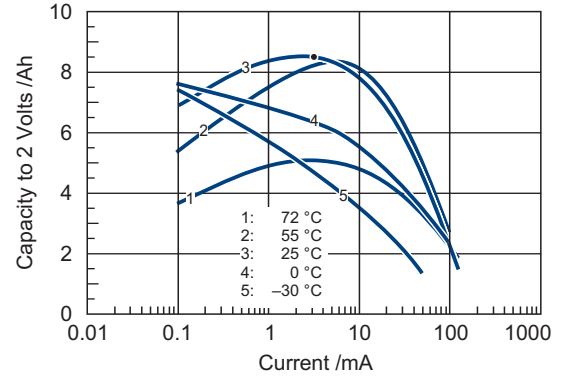
UL recognition under file MH 12827

See also our website under Products/Safety

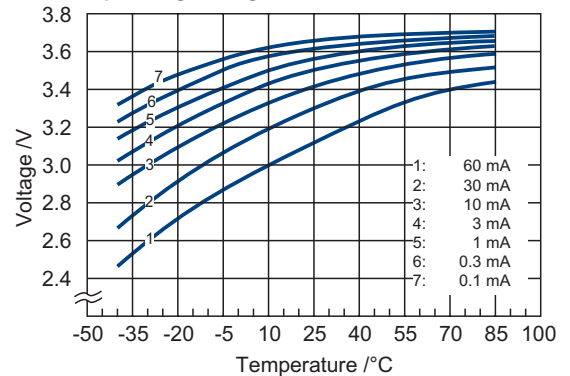
Typical Discharge Curves at +25°C



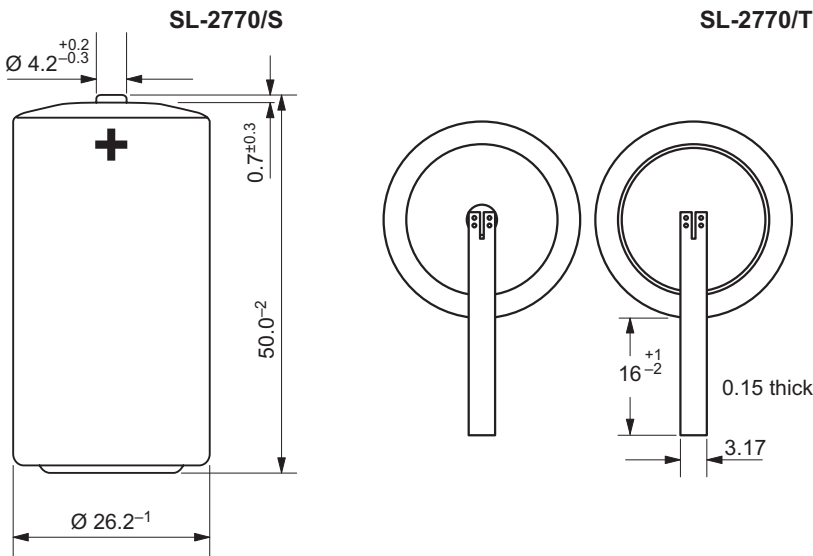
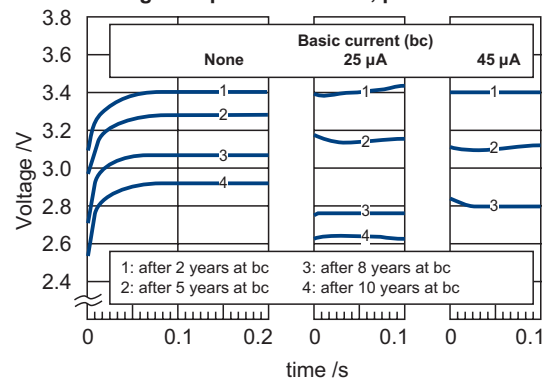
Available Capacity



Operating Voltage



Voltage Response at +25 °C, pulse: 40 mA



Available Terminations

SL-2770/S	Standard
SL-2770/T	Tags
SL-2770/P	Pins

Catalogue No.

11 2 17701 00
11 2 17702 00
11 2 17703 00

Any values given here are for information purposes only. They also depend on actual conditions of use and are not warranties of future performance. Subject to change.